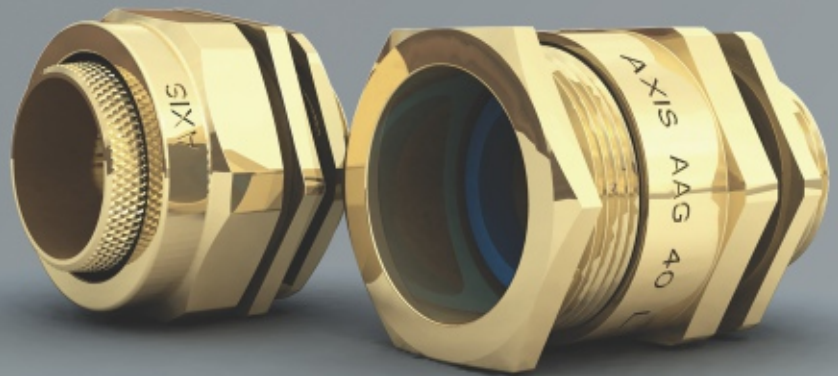




TESTED PRODUCTS
EFFICIENT SERVICE
TRUSTED BRAND

An ISO 9001: 2015 Company

Product Catalog



Cable Management System





AXIS ELECTRICAL COMPONENTS (I) P. LTD.

Our Vision

To be a leading global enterprise providing innovative & value based solutions in the Electrical & Energy Sector.

Our Mission

AXIS is committed to deliver excellence and superior value to our customers, shareholders, employees and society at large. Our mission is driven through the 4 pillars of:

- 1. Customer Centricity:** To become the "Supplier of Choice", delivering products and services and creating value for our customers.
- 2. People Centricity:** To be the "Employer of Choice", nurturing and developing talent, fostering teamwork & capability with a high sense of pace, passion and pride driven by value & culture.
- 3. Community Centricity:** To be recognized as a responsible corporate citizen through facilities, being legally compliant and driven by a strong corporate governance.
- 4. Business & Technology Centricity:** To drive innovative, efficient & effective systems, processes and delivery backbone backed by technology for a sustainable and scalable business growth and value.



An ISO 9001: 2015 Company

TESTED PRODUCTS
EFFICIENT SERVICE
TRUSTED BRAND

Company Profile

Leading Manufacturer & Exporter

Axis is the leading Indian Manufacturer & Exporter of a wide range of Electrical Components used in Electrical Installations and in the Equipment Building industry. Our main customer base consist of Distributors/Wholesalers of Electrical Products, Electrical Contractors & Installers, Equipment Manufacturers, Maintenance Companies and Government Authorities.

Exports to more than 80 Countries Worldwide

Over the years, Axis has supplied high quality and tested products to thousands of customers in over 80 countries. As a result, the Axis brand has become synonymous with Quality.

International Certifications

Axis invests heavily in continuous improvements in its products and manufacturing processes. This allows Axis to always be ahead of the curve through certifications and approvals from around the world. Products manufactured by Axis follow widely accepted international such as BS, DIN, UL, NFC, AS/NZ & Indian Standard (IS). CRISIL India, an S&P subsidiary, rated Axis as having the highest performance capabilities and strong financial strength.

Constant Improvement

Axis's dual focus on foreseeing customer requirements and looking at the future of the industry, translates to a continuous desire to evolve and upgrade our product offerings.

Quality Management

Our goal is to provide each customer with products, systems and services that meet the highest standards of quality. To assure quality management, Axis has achieved an ISO 9001 Certification.

CABLE GLANDS & ACCESSORIES

Introduction	02	----	04
A1/A2 Industrial Cable Gland		----	05
BW Industrial Cable Gland		----	06
BWL Heavy Duty Industrial Cable Gland		----	07
CW Industrial Cable Gland		----	08
CZ Industrial Cable Gland		----	09
E1W Industrial Cable Gland		----	10
E1Z Industrial Cable Gland		----	11
CXT Industrial Cable Gland		----	12
Gland Accessories		----	13
Gland Kit		----	13
Brass Gland - Selection Chart		----	14
Wiping Glands		----	15
Fittings For Wiping Glands		----	16
Conduit Fittings		----	17
Ingress Protection Index		----	18

CABLE CLEATS

Introduction	19	----	20
Cable Cleat-Single Way		----	21
Cable Cleat-Trefoil		----	22

CABLE TIES & ACCESSORIES

Introduction	23	----	24
SS Cable Ties - Releasable		----	25
SS Cable Ties - Roller Ball		----	26
Stainless Steel - Markers		----	27
Stainless Steel - I.D Tags		----	27
Stainless Steel - Carriers		----	27

Index



Entry Thread Options

Cable Gland Size	ISO Metric	NPT	P.G.	PF / BSP	Imperial
16	M16	1/2"	11	-	5/8"
20/16	M20	1/2"	11	1/2"	3/4"
20S	M20	1/2"	13.5	1/2"	3/4"
20	M20	1/2"	16	1/2"	3/4"
25	M25	3/4"	21	3/4"	1"
32	M32	1"	29	1"	1-1/4"
40	M40	1-1/4"	36	1-1/4"	1-1/2"
50S	M50	1-1/2"	36	1-1/2"	2"
50	M50	2"	42	2"	2"
63S	M63	2"	48	2"	2-1/2"
63	M63	2-1/2"	-	2-1/2"	2-1/2"
75S	M75	2-1/2"	-	2-1/2"	3"
75	M75	3"	-	3"	3"
90	M90	3"	-	3"	3-1/2"



Scan the QR code for the Installation Videos



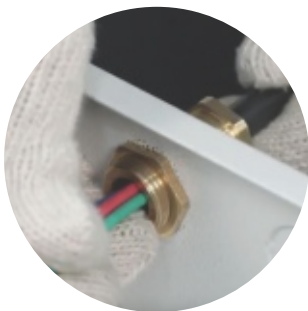
Installation of Axis A1-A2 Cable Glands for Low Voltage Cable Termination.



Installation of Axis BW Cable Glands on Steel Wire Armoured (SWA) cables.

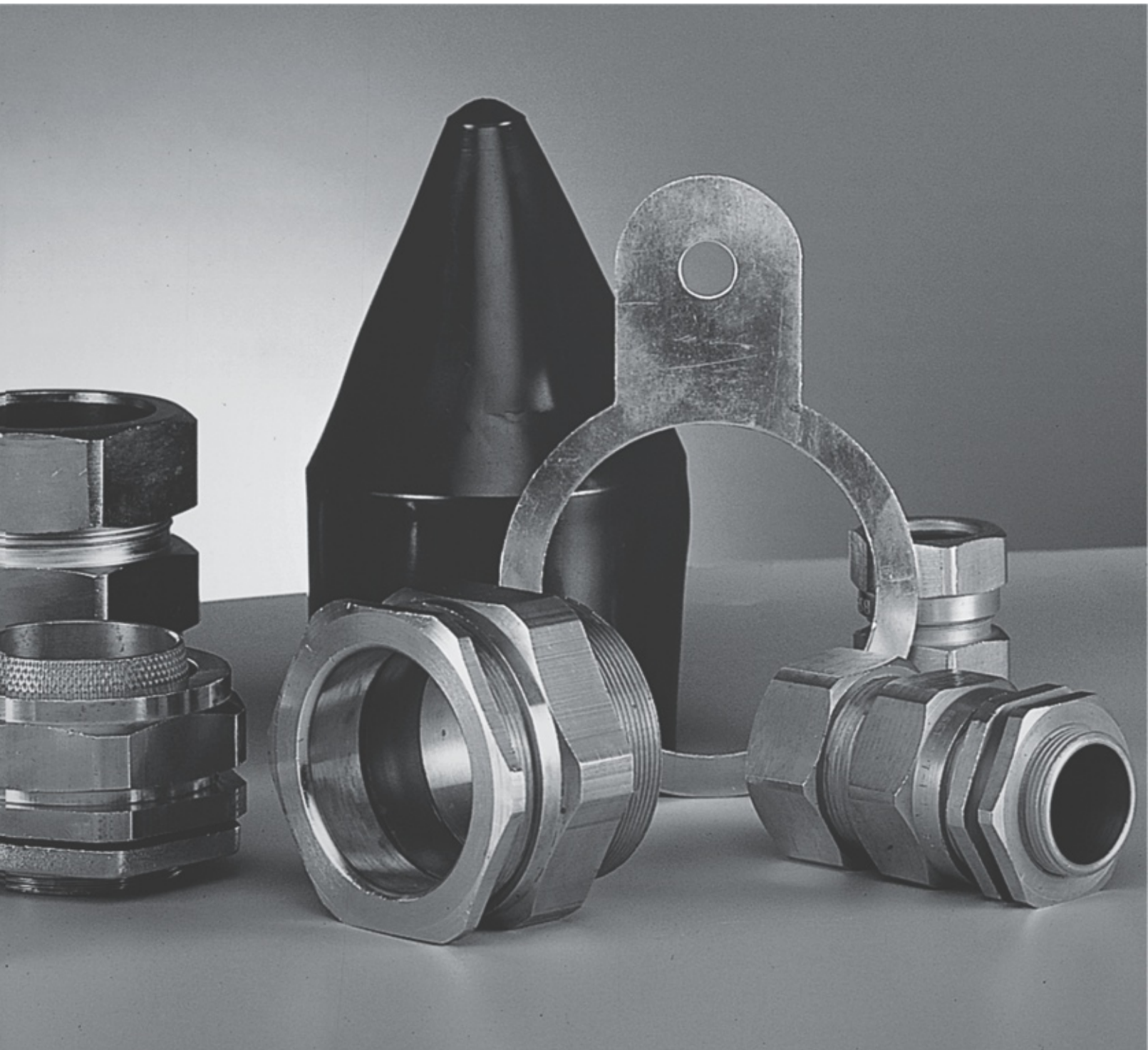


Installation of Axis CW Cable Glands on Steel Wire Armoured (SWA) cables.





Cable Glands



The AXIS Industrial Cable Gland product range offers users solutions that are designed and manufactured for fast assembly and reliable performance. AXIS Cable Glands are constructed from high-quality materials made with copper alloy for high strength and nickel-plated for corrosion resistance. With gland sizes ranging from metric threads M16 to M100 and inch threads 1/2" to 3", AXIS Cable Glands are dependable with rapid installation methods for passing power cables to panels for Industrial applications, the Oil & Gas Industry and more, with increased efficiency, safety, and reduced costs.

The AXIS Industrial Cable Gland range is designed, manufactured, tested and comply with International Standards like IEC 62444 & BS 6121.

A1/A2 Industrial Cable Gland

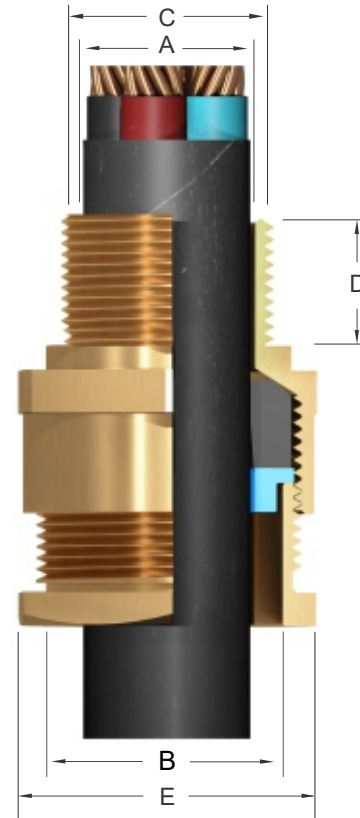
Brass indoor and outdoor cable gland highly suitable for all types of unarmoured cables, plastic or rubber sheathed cables. This gland provides a seal on outer sheath.

Recommended to use PVC shroud for additional ingress protection.



TECHNICAL DATA

Type	A1/A2
Design Specification	BS 6121 : Part I
Ingress protection	IP66
Gland Material	Brass
Finish	Plain Brass or Nickel Plated
Seal Material	Thermoplastic Elastomer
Cable Type	Unarmoured
Sealing Technique	Displacement Type
Sealing Area	Outer Sheath



Gland Size	Cable Dimensions Accomodated		Gland Dimensions					E-Code
	Overall Diameter		Dia 'A'	Dia 'B'	Metric Entry Thread 'C'	Minimum Thread Length 'D'	Across Flat 'E'	
	Min	Max						
16	3.5	8.5	10.0	12.0	16	15	21.30	AAG0016B
20SS	3.5	8.5	10.0	15.4	20	15	23.60	AAG0020SSB
20S	8.0	11.5	11.9	15.4	20	15	23.60	AAG0020SB
20L	11.0	13.5	14.5	17.9	20	15	26.85	AAG0020LB
25S	13.0	16.5	16.5	20.3	25	15	30.50	AAG0025SB
25L	13.0	19.5	20.7	27.4	25	15	35.50	AAG0025LB
32S	16.0	23.5	26.9	31.7	32	15	41.30	AAG0032SB
32L	19.0	25.5	26.9	31.7	32	15	41.30	AAG0032LB
40S	25.0	32.0	29.6	32.5	40	15	47.00	AAG0040SB
40L	25.0	32.0	32.5	37.1	40	15	47.00	AAG0040LB
50S	31.5	37.0	38.6	44.2	50	15	55.00	AAG0050SB
50L	36.5	43.0	44.0	48.9	50	15	59.95	AAG0050LB
63S	42.5	50.0	50.3	56.1	63	15	64.75	AAG0063SB
63L	49.5	55.0	56.4	60.2	63	15	69.85	AAG0063LB
75S	54.5	61.0	62.2	62.2	75	15	78.75	AAG0075SB
75L	60.5	67.0	68.3	73.1	75	15	84.60	AAG0075LB
90	65.0	78.0	80.3	80.3	90	20	102.60	AAG0090LB
100	75.0	88.0	90.0	91.6	100	25	119.10	AAG0100LB
110	85.0	95.0	100.3	100.3	110	25	128.00	AAG0110B
115	86.0	98.0	105.0	105.0	115	25	133.40	AAG0115B
130	97.0	115.0	120.0	120.0	130	25	152.40	AAG0130B

BW Industrial Cable Gland

Brass indoor glands most suitable for single wire armoured, plastic or rubber sheathed cable.

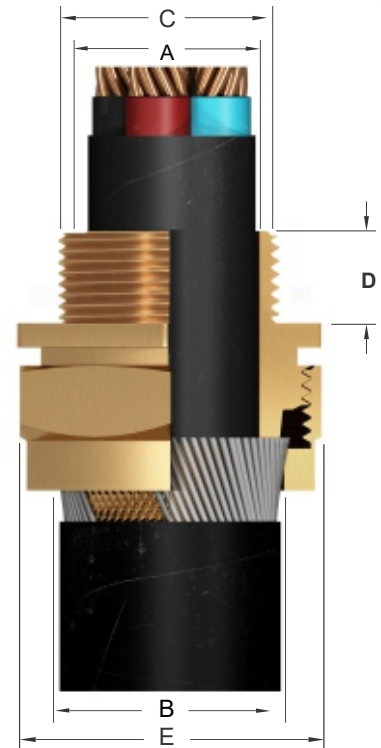
Earth tags to be use for earth continuity.

Recommended to use with shroud for additional ingress protection.



TECHNICAL DATA

Type	BW KNURLING TYPE
Design Specification	BS 6121 : Part I
Ingress Protection	IP3X
Gland Material	Brass
Finish	Plain Brass or Nickel Plated
Cable Type	Steel Wire Armour
Armour Clamping	Two Part Armour Lock



Gland Size	Cable Dimensions Accomodated			Gland Dimensions					E-Code
	Under Armour Dia Max.	Overall Dia. Max	Armour Wire Dia.	Dia 'A'	Dia 'B'	Metric Entry Thread 'C'	Minimum Thread Length 'D'	Across Flat 'E'	
16	9.5	16.0	0.9 / 1.25	10.2	15.9	16	10	21.00	ABW0016LB
20S	11.7	16.0	0.9 / 1.25	12.5	15.9	20	10	21.00	ABW0020SB
20	13.9	21.0	0.9 / 1.25	14.1	18.1	20	10	23.40	ABW0020LB
25	19.9	27.0	1.25 / 1.6	20.6	26.1	25	10	33.50	ABW0025LB
32	26.0	34.0	1.60 / 2.0	26.9	34.3	32	10	40.10	ABW0032LB
40	31.0	40.9	1.60 / 2.0	32.5	40.9	40	15	50.30	ABW0040LB
50S	38.1	50.5	2.0 / 2.5	38.5	47.0	50	15	56.65	ABW0050SB
50	44.0	53.0	2.0 / 2.5	44.5	52.8	50	15	62.70	ABW0050LB
63	55.9	68.0	2.5	56.4	65.4	63	15	76.20	ABW0063LB
75	67.9	82.9	2.5	68.3	77.7	75	15	92.70	ABW0075LB

Dimensions in mm

BWL Heavy Duty Industrial Cable Gland

Brass indoor glands most suitable for single wire armoured, plastic or rubber sheathed cable.

Lockring provided for additional grip to the armour.

Earth tags to be use for earth continuity.

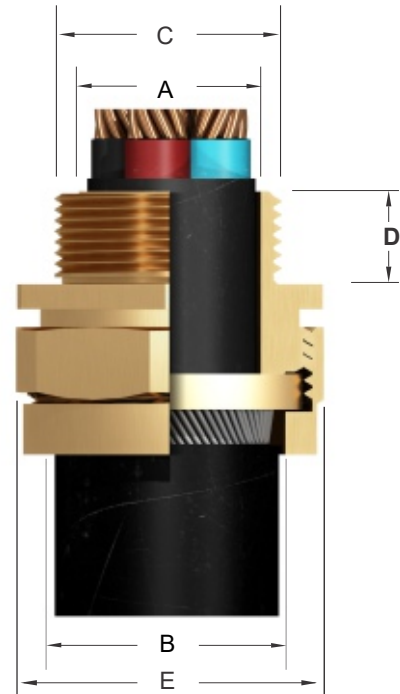
BWL glands are also supplied with integral earth facilities.

Recommended to use with shroud for additional ingress protection.



TECHNICAL DATA

Type	BWL
Design Specification	BS 6121 : Part I
Ingress Protection	IP3X
Gland Material	Brass
Finish	Plain Brass or Nickel Plated
Cable Type	Steel Wire Armour
Armour Clamping	Three Part Armour Lock



Gland Size	Cable Dimensions Accomodated			Gland Dimensions					E-Code
	Under Armour Dia Max.	Overall Dia. Max	Armour Wire Dia	Dia 'A'	Dia 'B'	Metric Entry Thread 'C'	Minimum Thread Length 'D'	Across Flat 'E'	
16	9.5	13.0	0.9	10.2	14.5	16	10	21.30	BWL0016B
20S	11.7	16.0	0.9 / 1.25	13.0	16.9	20	10	23.60	BWL0020SB
20L	13.9	20.0	0.9 / 1.25	14.3	21	20	10	25.40	BWL0020LB
25S	17.8	23.8	1.25 / 1.60	18.4	24.5	25	10	31.10	BWL0025SB
25L	19.9	27.2	1.25 / 1.60	20.8	28.1	25	10	34.00	BWL0025LB
32	26.2	33.5	1.60 / 2.0	26.7	33.7	32	10	40.40	BWL0032LB
40S	29.4	36.0	1.60 / 2.0	30.5	37.6	40	15	44.90	BWL0040SB
40L	32.1	39.9	1.60 / 2.0	32.7	41.1	40	15	48.70	BWL0040LB
50S	38.1	46.3	2.0 / 2.5	40.6	48.6	50	15	57.40	BWL0050SB
50L	43.5	52.6	2.0 / 2.5	44.4	53.8	50	15	61.00	BWL0050LB
63S	50.0	59.0	2.5	51.3	60.7	63	15	70.10	BWL0063SB
63L	54.5	64.0	2.5	56.3	65.5	63	15	74.80	BWL0063LB
75S	61.0	71.0	2.5	62.2	72.4	75	15	84.30	BWL0075SB
75L	67.0	77.0	2.5	68.2	78.4	75	15	90.10	BWL0075LB
90	79.3	90.4	2.5	80.0	91.5	90	15	105.30	BWL0090LB

Dimensions in mm

CW Industrial Cable Gland

Brass indoor and outdoor gland most popularly used with single wire armoured, plastic or rubber sheathed cable. Terminates and secured cable armouring and outer seal grips sheath of cable thus ensuring mechanical strength and earth continuity.

Earth tags to be use for earth continuity.

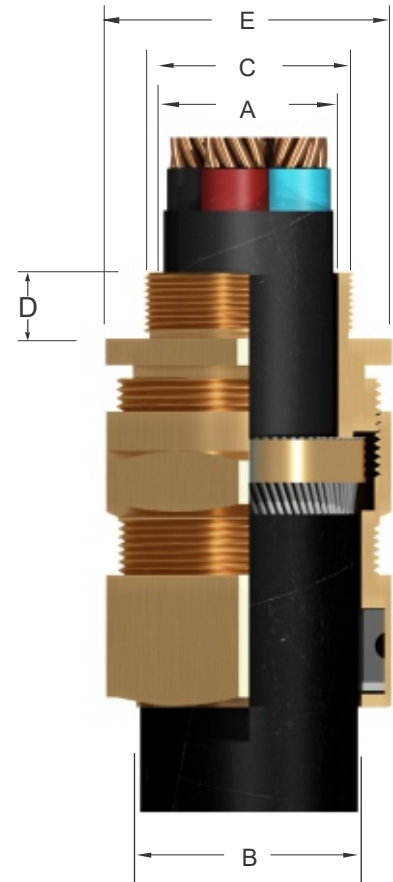
CW brass glands are also supplied with integral earth facilities.

Recommended to use PVC shroud for additional ingress protection.



TECHNICAL DATA

Type	CW
Design Specification	BS 6121 : Part I
Ingress protection	IP66
Gland Material	Brass
Finish	Plain Brass or Nickel Plated
Seal Material	Thermoplastic Elastomer
Cable Type	Steel Wire Armour
Armour Clamping	Three Part (With Lock Nut)
Sealing Technique	Compression Type
Sealing Area	Outer Sheath



Gland Size	Cable Dimensions Accomodated			Gland Dimensions					E-Code
	Under Armour Dia Max.	Overall Dia. Max	Armour Wire Dia	Dia 'A'	Dia 'B'	Metric Entry Thread 'C'	Minimum Thread Length 'D'	Across Flat 'E'	
16	6.0	13.2	0.9	9.5	16.9	16	10	24.20	CWG0016B
20S	11.6	15.8	0.9 / 1.25	12.3	17	20	10	24.00	CWG0020SB
20L	13.9	19.5	0.9 / 1.25	14.3	20.3	20	10	27.17	CWG0020LB
25S	15.5	25.8	0.9 / 1.25	18.3	26.4	25	10	32.75	CWG0025SB
25L	19.9	26.0	0.9 / 1.25	20.8	26.9	25	10	34.30	CWG0025LB
32S	24.0	31.0	1.60 / 2.0	26.9	34.1	32	10	42.90	CWG0032SB
32L	25.2	33.5	1.60 / 2.0	26.9	34.1	32	10	42.90	CWG0032LB
40S	29.4	38.5	1.60 / 2.0	31.5	39.6	40	15	49.30	CWG0040SB
40L	32.1	39.9	1.60 / 2.0	32.5	41.8	40	15	50.80	CWG0040LB
50S	39.5	49.0	2.0 / 2.25	40.9	50.2	50	15	61.70	CWG0050SB
50L	43.2	51.0	2.0 / 2.25	44.4	52.8	50	15	63.75	CWG0050LB
63S	50.6	58.9	2.5	51.8	61.9	63	15	73.90	CWG0063SB
63L	55.9	65.3	2.5	56.4	66.5	63	15	78.50	CWG0063LB
75S	61.9	71.6	2.5	63.2	74.2	75	20	87.40	CWG0075SB
75L	67.9	78.0	2.5	68.6	78.5	75	20	96.00	CWG0075LB
90	74.0	88.0	2.5	79.0	90.2	90	20	105.30	CWG0090LB
100	86.0	100.0	2.5	91.0	103.0	100	20	123.00	CWG0100LB

Dimensions in mm

CZ Industrial Cable Gland

Brass gland suitable for steel tape armoured, plastic or rubber sheathed cables. Terminates and secure cable armouring and outer seal grips sheath of cable thus ensuring mechanical strength and earth continuity.

CZ brass glands are also supplied with integral earth facilities.

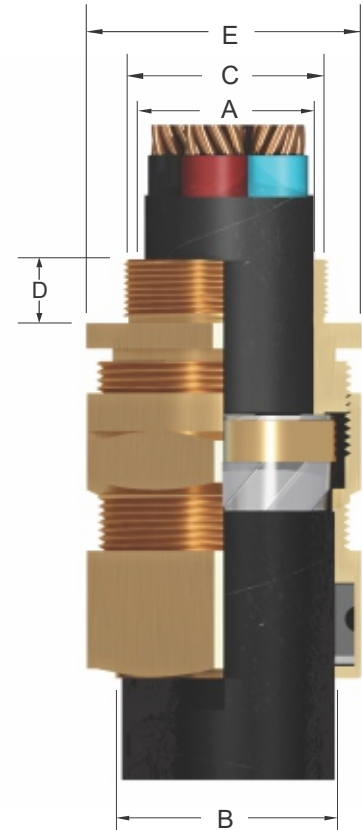
Earth tags to be use for earth continuity.

Recommended to use PVC shroud for additional ingress protection.



TECHNICAL DATA

Type	CZ
Design Specification	BS 6121 : Part I
Ingress protection	IP66
Gland Material	Brass
Finish	Plain Brass or Nickel Plated
Seal Material	Thermoplastic Elastomer
Cable Type	Steel Tape Armour
Armour Clamping	Three Part (With Lock Nut)
Sealing Technique	Compression Type
Sealing Area	Outer Sheath



Gland Size	Cable Dimension Accomodated			Gland Dimensions					E-Code
	Under Armour Dia Max.	Overall Dia. Max	Steel Tape Thickness	Dia 'A'	Dia 'B'	Metric Entry Thread 'C'	Minimum Thread Length 'D'	Across Flat 'E'	
16	6.0	13.2	0.15 / 0.35	9.5	16.9	16	10	24.20	CZG0016B
20S	11.6	15.8	0.15 / 0.35	12.3	17	20	10	24.00	CZG0020SB
20L	13.9	19.5	0.15 / 0.5	14.3	20.3	20	10	27.17	CZG0020LB
25S	15.5	25.8	0.15 / 0.5	18.3	26.4	25	10	32.75	CZG0025SB
25L	19.9	26.0	0.15 / 0.5	20.8	26.9	25	10	34.30	CZG0025LB
32	25.2	33.5	0.15 / 0.55	26.9	34.1	32	10	42.90	CZG0032B
40S	29.4	38.5	0.2 / 0.6	31.5	39.6	40	15	49.30	CZG0040SB
40L	32.1	39.9	0.2 / 0.6	32.5	41.8	40	15	50.80	CZG0040LB
50S	39.5	49.0	0.5 / 0.8	40.9	50.2	50	15	61.70	CZG0050SB
50L	43.2	51.0	0.5 / 0.8	44.4	52.8	50	15	63.75	CZG0050LB
63S	50.6	58.9	0.5 / 0.8	51.8	61.9	63	15	73.90	CZG0063SB
63L	55.9	65.3	0.5 / 0.8	56.4	66.5	63	15	78.50	CZG0063LB
75S	61.9	71.6	0.5 / 1.0	63.2	74.2	75	20	87.40	CZG0075SB
75L	67.9	78.0	0.5 / 1.0	68.6	78.5	75	20	96.00	CZG0075LB
90	74.0	88.0	0.5 / 1.0	79.0	90.2	90	20	105.30	CZG0090B

Dimensions in mm

E1W Industrial Cable Gland

Brass indoor and outdoor cable glands highly suitable for single wire armoured, plastic or rubber sheathed cables. Provides grip to the cable with outer and inner seals. Used popularly in most climatic conditions weatherproof and waterproof.

Earth tags to be use for earth continuity.

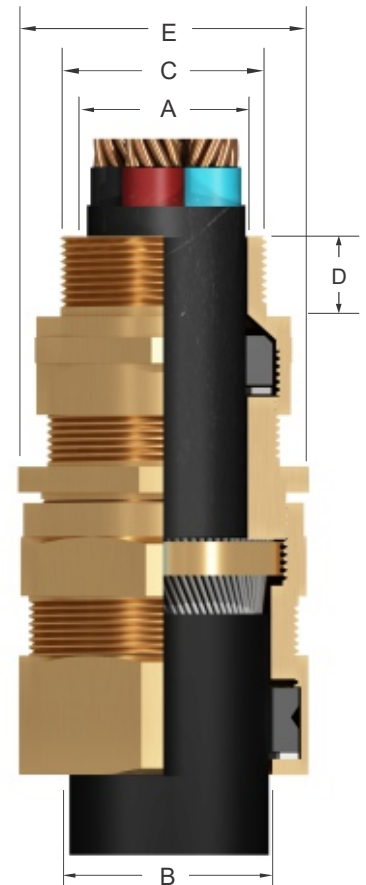
E1W brass glands are also supplied with integral earth facilities.

Recommended to use PVC shroud for additional ingress protection.



TECHNICAL DATA

Type	E1W
Design Specification	BS 6121 : Part I
Ingress protection	IP66
Gland Material	Brass
Finish	Plain Brass or Nickel Plated
Seal Material	Thermoplastic Elastomer
Cable Type	Steel Wire Armour
Armour Clamping	Three Part Armour Lock
Sealing Technique	Compression & Displacement Type
Sealing Area (s)	Inner & Outer Sheath



Gland Size	Cable Dimension Accomodated					Gland Dimensions					E-Code
	Under Armour Dia		Overall Dia.		Armour Wire Dia	Dia 'A'	Dia 'B'	Metric Entry Thread 'C'	Minimum Thread Length 'D'	Across Flat 'E'	
	Min	Max	Min	Max	Max						
16	6.3	8.6	8.0	13.2	0.9	9.5	16.9	16	15	24.10	E1W0016B
20S	7.8	11.6	8.8	15.8	0.9 / 1.25	11.9	17	20	15	24.10	E1W0020SB
20L	11.8	13.9	11.7	19.5	0.9 / 1.25	14.5	20.3	20	15	27.17	E1W0020LB
25S	13.0	15.5	17.0	25.8	1.25 / 1.60	16.5	26.4	25	15	32.75	E1W0025SB
25L	14.0	19.9	17.0	26.0	1.25 / 1.60	20.7	27.4	25	15	35.85	E1W0025LB
32	19.7	25.2	23.5	33.5	1.60 / 2.0	26.9	34.1	32	15	42.90	E1W0032LB
40S	26.5	29.4	29.0	38.5	1.60 / 2.0	29.6	39.6	40	15	49.30	E1W0040SB
40L	32.1	32.1	39.9	39.9	1.60 / 2.0	32.5	41.8	40	15	50.80	E1W0040LB
50S	32.2	38.1	38.0	49.0	2.0 / 2.5	38.6	50.2	50	15	61.70	E1W0050SB
50L	38.4	43.2	39.5	51.0	2.0 / 2.5	44.0	52.8	50	15	63.75	E1W0050LB
63S	44.1	50.0	50.0	58.9	2.5	50.3	61.9	63	15	73.90	E1W0063SB
63L	50.1	55.9	51.3	65.3	2.5	56.4	66.5	63	15	78.50	E1W0063LB
75S	56.0	61.9	62.0	71.6	2.5	62.2	74.2	75	15	87.40	E1W0075SB
75L	62.0	67.9	62.5	78.0	2.5	68.3	78.5	75	15	96.00	E1W0075LB
90	68.0	74.0	68.0	88.0	2.5	80.3	90.2	90	20	105.30	E1W0090B

Dimensions in mm

E1Z Industrial Cable Gland

Brass indoor and outdoor cable glands suitable for steel tape armoured, plastic or rubber sheathed cable. Provides grip to the cable with outer and inner seals. Used in most climatic conditions weatherproof and waterproof.

Earth tags to be use for earth continuity.

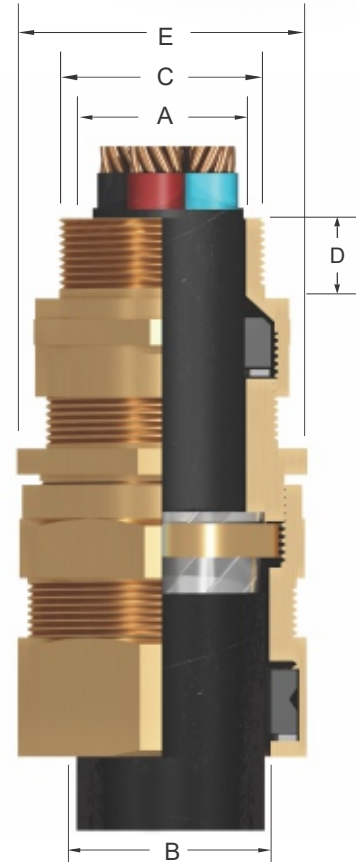
E1Z brass glands are also supplied with integral earth facilities.

Recommended to use PVC shroud for additional ingress protection.



TECHNICAL DATA

Type	E1Z
Design Specification	BS 6121 : Part I
Ingress protection	IP66
Gland Material	Brass
Finish	Plain Brass or Nickel Plated
Seal Material	Thermoplastic Elastomer
Cable Type	Steel Tape Armour
Armour Clamping	Three Part Armour Lock
Sealing Technique	Compression & Displacement Type
Sealing Area (s)	Inner & Outer Sheath



Gland Size	Cable Dimension Accomodated					Dia 'A'	Dia 'B'	Metric Entry Thread 'C'	Minimum Thread Length 'D'	Across Flat 'E'	E-Code
	Under Armour Dia		Overall Dia		Steel Tape Thickness						
16	6.3	8.6	8.0	13.2	0.15 / 0.35	11.9	17.0	16	15	24.10	E1Z0016B
20S	7.8	11.6	8.8	15.8	0.15 / 0.35	11.9	17.0	20	15	24.10	E1Z0020SB
20L	11.8	13.9	11.7	19.5	0.15 / 0.5	14.5	20.3	20	15	27.17	E1Z0020LB
25S	13.0	15.5	17.0	25.8	0.15 / 0.5	16.5	26.4	25	15	32.75	E1Z0025SB
25L	14.0	19.9	17.0	26.0	0.15 / 0.5	20.7	27.4	25	15	35.85	E1Z0025LB
32	19.7	25.2	23.5	33.5	0.15 / 0.55	26.9	34.1	32	15	42.90	E1Z0032LB
40S	26.5	29.4	29.0	38.5	0.2 / 0.6	29.6	39.6	40	15	49.30	E1Z0040SB
40L	32.1	32.1	39.9	39.9	0.2 / 0.6	32.5	41.8	40	15	50.80	E1Z0040LB
50S	32.2	38.1	38.0	46.0	0.5 / 0.8	38.6	50.2	50	15	61.70	E1Z0050SB
50L	38.4	43.2	39.5	51.0	0.5 / 0.8	44.0	52.8	50	15	63.75	E1Z0050LB
63S	44.1	50.0	50.0	58.9	0.5 / 0.8	50.3	61.9	63	15	73.90	E1Z0063SB
63L	50.1	55.9	51.3	65.3	0.5 / 0.8	56.4	66.5	63	15	78.50	E1Z0063LB
75S	56.0	61.9	62.0	71.6	0.5 / 1.0	62.2	74.2	75	15	87.40	E1Z0075SB
75L	62.0	67.9	62.5	78.0	0.5 / 1.0	68.3	78.5	75	15	96.00	E1Z0075LB
90	68.0	74.0	68.0	88.0	0.5 / 1.0	80.3	90.2	90	20	105.30	E1Z0090B

Dimensions in mm

CXT Industrial Cable Gland

Brass indoor and outdoor cable gland suitable for braided armoured type, plastic or rubber sheathed cables.

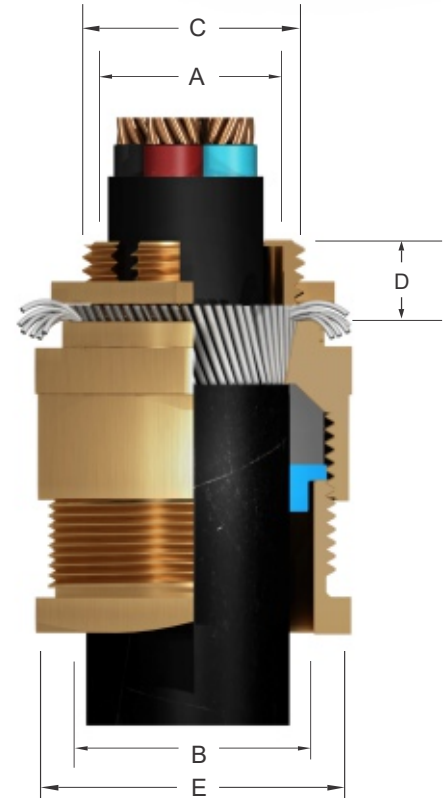
This gland provides seal on outer sheath.

Recommended to use with PVC shroud for additional ingress protection.



TECHNICAL DATA

Type	CXT
Design Specification	BS 6121 : Part I
Ingress protection	IP66
Gland Material	Brass
Finish	Plain Brass or Nickel Plated
Seal Material	Thermoplastic Elastomer
Cable Type	Braided Armoured Type
Sealing Technique	Displacement Type
Sealing Area	Outer Sheath



Gland Size	Cable Dimension Accomodated		Gland Dimensions					E-Code
	Overall Diameter		Dia 'A'	Dia 'B'	Metric Entry Thread 'C'	Minimum Thread Length 'D'	Across Flat 'E'	
	Min	Max						
16	3.5	8.5	11.9	12.0	16	15	21.30	CXT0016B
20SS	3.5	8.5	10.2	15.4	20	15	23.60	CXT0020SSB
20S	8.0	11.5	11.9	15.4	20	15	23.60	CXT0020SB
20L	11.0	13.5	14.5	17.9	20	15	26.85	CXT0020B
25S	13.0	16.5	16.5	20.3	25	15	30.50	CXT0025LB
32	19.0	25.5	26.9	31.7	32	15	41.30	CXT0032LB
40L	25.0	32.0	32.5	37.1	40	15	47.00	CXT0040LB
50S	31.5	37.0	38.6	44.2	50	15	55.00	CXT0050SB
50L	36.5	43.0	44.0	48.9	50	15	59.95	CXT0050LB

Dimensions in mm

Gland Accessories



LOCKNUTS

Locknuts are recommended to use with cable glands to secure it to a gland plate or to equipment.

It is highly recommended to use brass locknut with gland for all the atmospheric conditions.

Sizes available from 16mm to 90mm
(Imperial and PG sizes also available)

EARTH TAGS

Earth tags are installed between the cable gland and equipment to provide earth continuity as specified in BS 6121 Part 5

Sizes available from 16mm to 90mm



PVC SHROUD

The shroud are recommended to use with all cable glands to provide additional ingress protection and to minimize the risk of dirt or any foreign substance gathering around gland body.

PVC Shrouds are denoted by gland reference number and are compatible with each glands size.

LSF SHROUD

The shrouds are recommended to use with all cable glands to provide additional ingress protection and to minimize the risk of dirt or any foreign substance gathering around gland body and also where there is a concern of fire safety.

LSF Shrouds are manufactured from low smoke and fume, halogen free material.

It possesses the properties of self extinguishing and non-dripping in fire risk environment.

It is also available in different colours. (eg. Red, Yellow, Blue, Black, Orange, White, etc.)

Gland Kit

Kit Details

Axis provides ready to use gland kit which consists of all the basic components required to terminate the cable to the equipments.

See kit details below.

Size	Component / Kit
20 - 25	Glands, Locknuts, Earthtags, PVC Shrouds and Screws - 2 Ea.
32 - 90	Gland, Locknut, Earthtag, PVC Shroud and Screw - 1 Ea.

Note: For A1/A2 Glands Earth Tag not required.

Cable Gland Kit

Gland Selection Chart for PVC SWA PVS Cable



Cable Size mm ²	NUMBERS OF CORES											
	1	2	3	4	5	7	10	12	19	27	37	48
1.5				20 S	20 S	20 S	20	20	25	25	32	32
2.5		20 S	20 S	20 S	20 S	20	25	25	25	32	▲ ³² #40	40
4		20 S	20 S	20	20	25	25	25	32	40		
6		20	20	20								
10		25	25	25								
16		25	25	25	SIZE							
25		25	+ ²⁵ #32	32								
35		+ ²⁵ #32	32	+ ³² #40								
50	20	32	32	32 40								
70	25	32	40	40								
95	25	40	40	50								
120	25	40	50	50								
150	32	40	50	50								
185	32	50	50	63								
240	40	50	63	63								
300	40	63	63	75	<p>N.B. : Gland size is based on nominal dimensions of overall dia, Amour dia and thickness of oversheath of the cable</p> <p>▲ Solid conductors</p> <p>+ Shaped stranded conductors</p> <p># Circular stranded Conductors</p>							
400	50	63	75	75								
500	50											
630	50											
800	63											
1000	63											

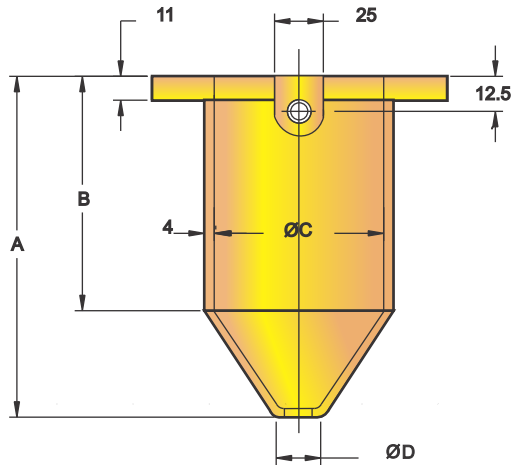
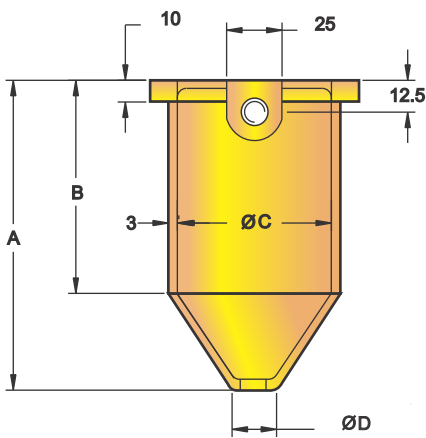
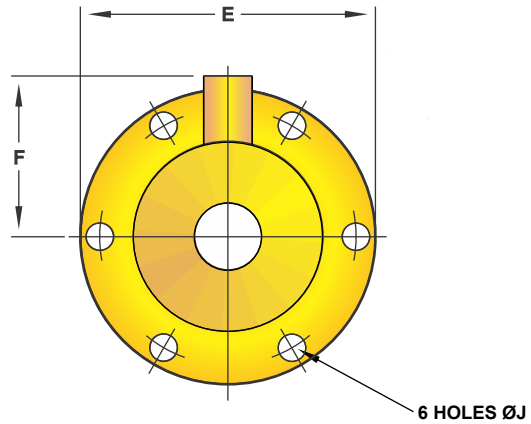
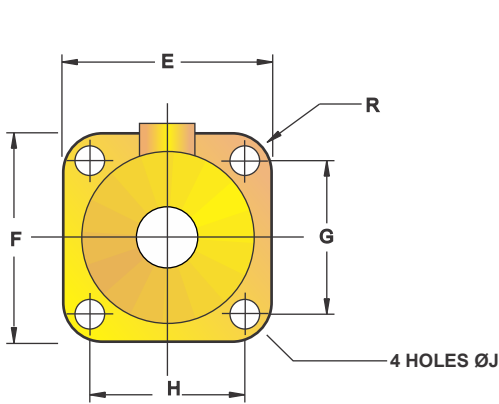
Note : These glands are manufactured in accordance with BS6121 Pt. 1.



Wiping Gland

Material : E-Copper

Finish: Natural



Gland Size X & Y

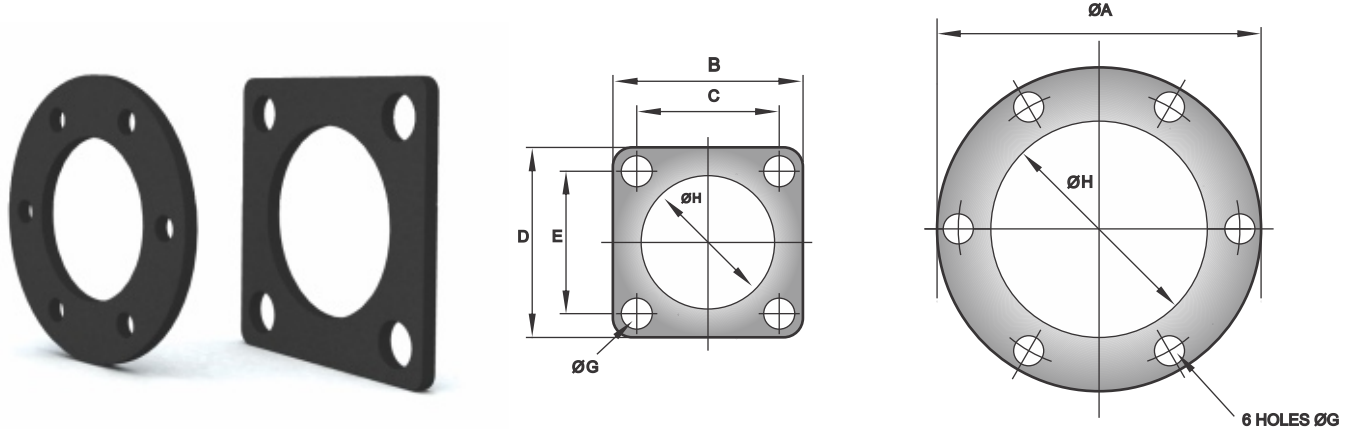
Gland Size Z

Gland Size	Dia over metal sheath of cable (mm)	Dimension in mm										E-Code
		A	B	C	ØD	E	F	G	H	ØJ	R	
X	12 to 51	137	90	60	19	90	90	66	66	12	12	AWGX
Y	25 to 78	155	95	89	32	114	123	95	86	14	14	AWGY
Z	25 to 94	195	140	108	32	190	100	-	-	14	-	AWGZ
Z-D	25 to 94	150	95	106	28	137	137	104	104	14	14	AWGZ-D

Fittings For Wiping Glands

Insulating Plates

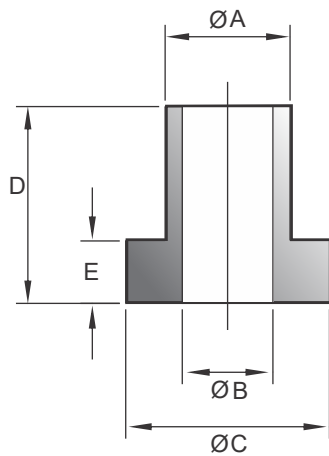
Material : Thermoplastic Elastomer



Insulating Plate	Dimension in mm							E-Code
	A	B	C	D	E	G	H	
PX	-	90	66	90	66	14	60	APX50002
PY	-	114	86	123	95	16	90	APY50001
PZ	190	-	-	-	-	16	108	APZ50003

Insulating Bush

Material : Neoprene

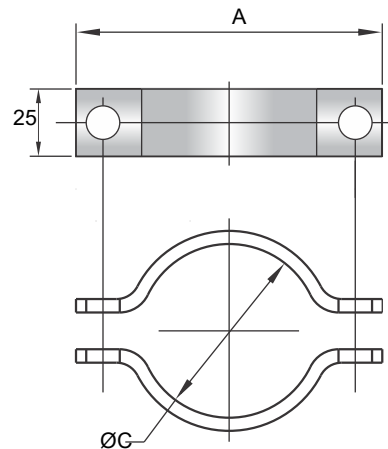


Insulating Bush	Dimension In mm				
	A	B	C	D	E
A	15	11.2	22	28	10
B	18	14	28	28	10

Armour Clamp

Material : M.S Strip

Finish : Electro Zinc Plated



Gland Size	Dimension In mm			E-Code
	A	B	C	
X	140	108	73	AACX
Y	175	145	103	AACY
Z	190	160	123	AACZ

Gland Size	Insulating Plate	Insulating Bush
X	PX	A
Y	PY	B
Z	PZ	B

Conduit Fittings

Male - Female Bushes

Material: Brass as per BS 2874
Finish: Brass as natural.
Sizes: Metric : 20mm to 50mm (Short and Long patterns)



Adaptors

Material: Brass as per BS 2874
Finish: Brass as natural or Nickel plated.
Sizes: Metric: 12mm to 50mm
Imperial: 1/2" to 2"

Also available with swivel type fittings.



Flexible Conduit PVC Coated

As per BS 731



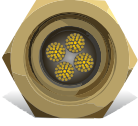

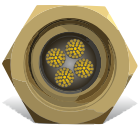


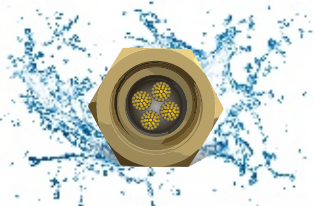






Material: G. I. Strip
Coating: Temperature resistant PVC
IP Rating: IP 65 or IP 50 with standard fittings
Working Temperatures: Min : -20° C Max : +70° C
Colour: Black
Sizes: Metric : 12mm to 50mm
Imperial : 1/2" to 2"

Flexible Conduit Nylon Coated

As per BS 731

Material: G. I. Strip
Coating: Nylon
IP Rating: IP 65 or IP 50 with standard fittings
Working Temperatures: Min : -30° C Max : +110° C
Colour: Black
Sizes: Metric: 12mm to 50mm
Imperial : 1/2" to 2"

Ingress Protection Index

1st Digit	Protection Against Solids.	1st Digit	Protection Against Solids.						
1	 <p>Protected against solid objects larger than 50 mm diameter</p>	1	 <p>Protected against drops of water falling vertically</p>						
2	 <p>Protected against solid objects larger than 12.5 mm diameter</p>	2	 <p>Protected against drops of water falling at up to 15° from the vertical</p>						
3	 <p>Protected against solid objects larger than 2.5 mm diameter</p>	3	 <p>Protected against rain at up to 60° from the vertical</p>						
4	 <p>Protected against solid objects larger than 1 mm diameter</p>	4	 <p>Protected against splashing of water from all directions</p>						
5	 <p>Protected against dust</p>	5	 <p>Protected against projections of water from all directions</p>						
6	 <p>Completely protected against dust (Dust-tight)</p>	6	 <p>Protected against jets of water from all directions</p>						
	<table border="1"> <thead> <tr> <th colspan="2">IP</th> </tr> </thead> <tbody> <tr> <td>X</td> <td>No Test</td> </tr> <tr> <td>0</td> <td>No Protection</td> </tr> </tbody> </table>	IP		X	No Test	0	No Protection	7	 <p>Protected against the effect of immersion</p>
IP									
X	No Test								
0	No Protection								
		8	 <p>Protected against the effects of submersion</p>						



Cable Cleats

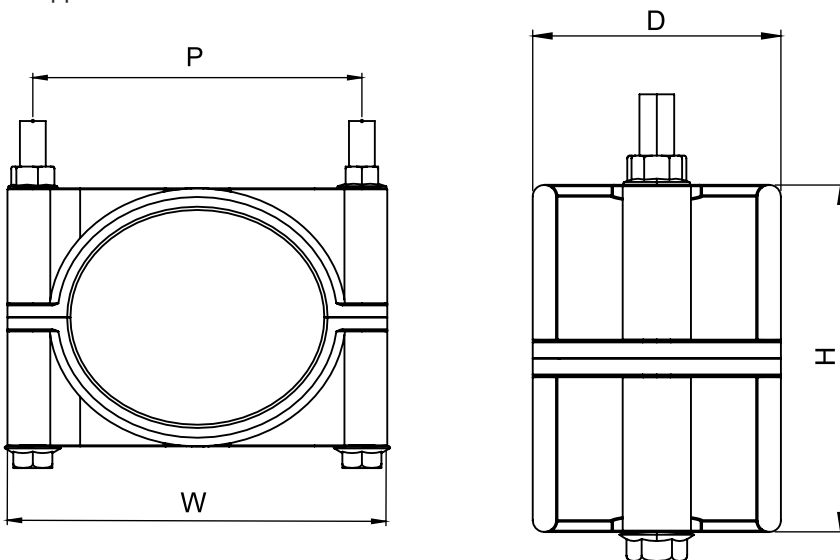


The AXIS Cable Cleats product range offers users solutions that are designed and manufactured for fast assembly and reliable performance. AXIS Cable Cleats are constructed from materials made with high strength Aluminium Alloy and engineering plastics using the best manufacturing processes that maximise tensile strength to meet the axial and lateral loads. With Cable diameter ranging from 15mm to 150 mm Cable Cleats are dependable with Safe Bundling and Fastening in indoor and outdoor Industrial applications during short circuits or power surges.

The AXIS Cable Cleat range is designed, manufactured, tested and comply with International Standards like IEC 61914.

Cable Cleat-Single Way

- Suitable for use with cable diameters 30 to 135 mm.
- Manufactured from Aluminium alloy.
- Two -piece, two fixing design.
- Can be double stacked on common fixings.
- Operating temperature - 60°C to +105°C.
- Suitable for LV & HV cables upto 132KV.
- Can be used for all types of cable routes.
- Plain finish for normal industrial areas or indoor application.
- Epoxy coated version available for harsh environments/outdoor.
- Optional Neoprene & EPDM liner available.
- In accordance with BS EN 61914:2009.
- Short circuit withstand : 110 KA (peak)
- Supplied with SS 304 Fasteners.

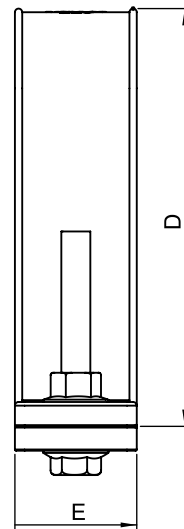
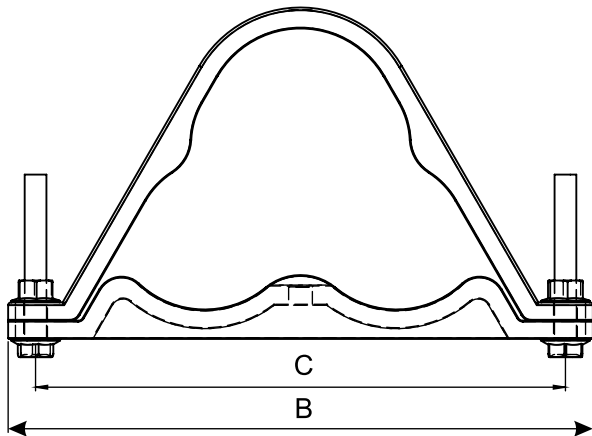


Cable Diameter (mm)		Cable Diameter With Liner (mm)			W (mm)	H (mm)	D (mm)	P (mm)	Fixing Bolt	E-Code
Min	Max	Min	Liner Thk.	Max						
30	40	24	3	34	93	42	45	71	2 x M10	AXSC040
40	50	34	3	44	104	52	45	82	2 x M10	AXSC050
48	55	42	3	49	108	60	45	86	2 x M10	AXSC055
55	64	49	3	58	118	67	50	95	2 x M10	AXSC064
64	70	58	3	64	125	76	50	102	2 x M10	AXSC070
70	76	64	3	70	130	82	50	108	2 x M10	AXSC076
76	83	70	3	77	138	90	60	115	2 x M12	AXSC083
83	89	77	3	83	144	97	60	121	2 x M12	AXSC089
89	95	83	3	89	152	107	60	130	2 x M12	AXSC095
95	101	85	5	91	158	113	60	136	2 x M12	AXSC101
101	115	91	5	105	175	119	85	152	2 x M12	AXSC115
115	125	105	5	115	180	133	85	158	2 x M12	AXSC125
125	135	115	5	125	192	143	85	170	2 x M12	AXSC135

NOTE : ADD SUFFIX "L" TO E-CODE FOR CABLE CLEAT WITH LINER

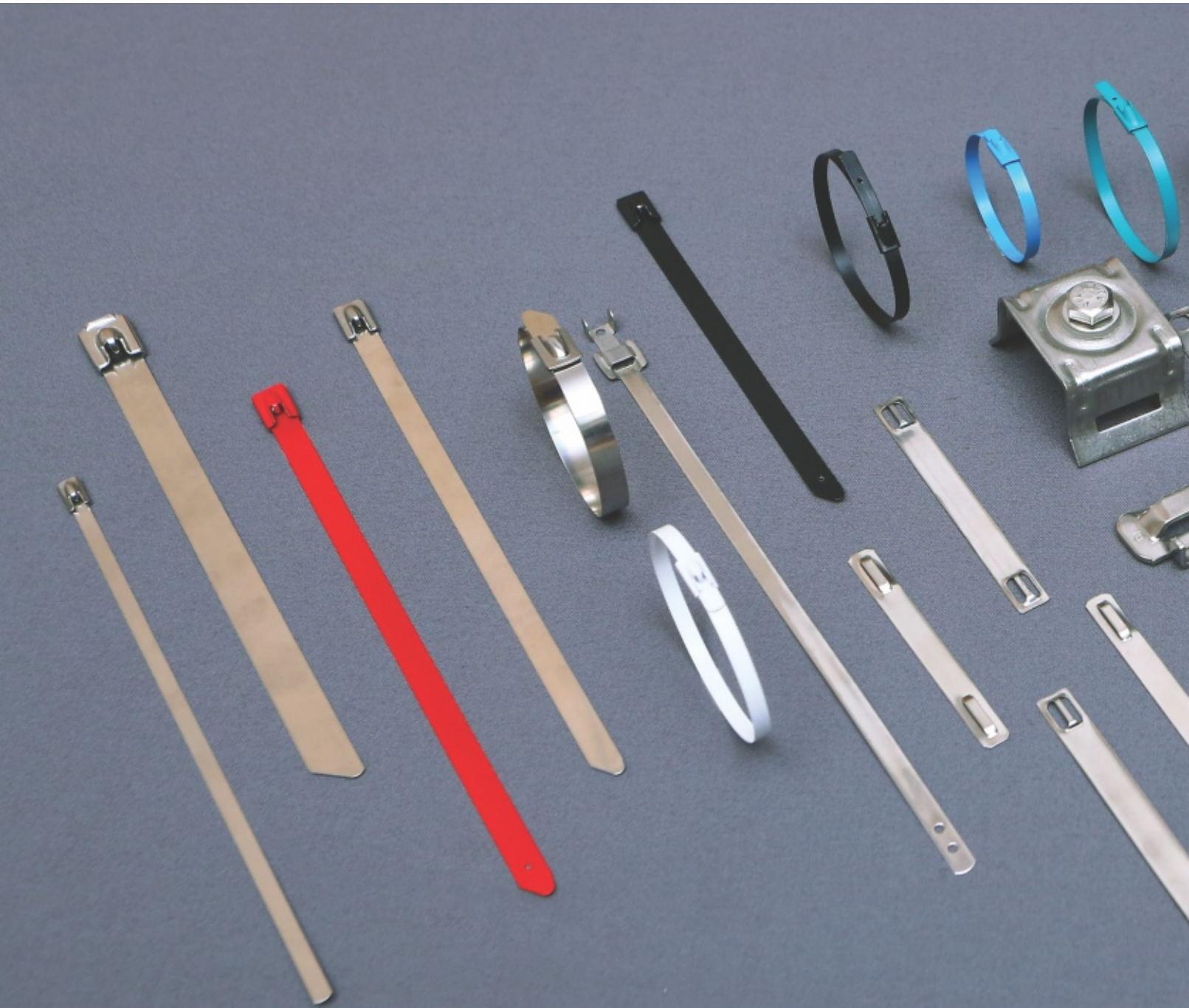
Cable Cleat-Trefoil

- Suitable for use with cable diameters 15 to 150 mm.
- Manufactured from Aluminium alloy.
- Two -piece, two fixing design.
- Operating temperature -60°C to +105°C.
- Suitable for LV & HV cables.
- Can be used for all types of cable routes.
- Plain finish for normal industrial areas or indoor application.
- Epoxy coated version available for harsh environments/outdoor.
- Optional Neoprene & EPDM liner available.
- In accordance with BS EN 61914:2009.
- Supplied with SS 304 Fasteners.

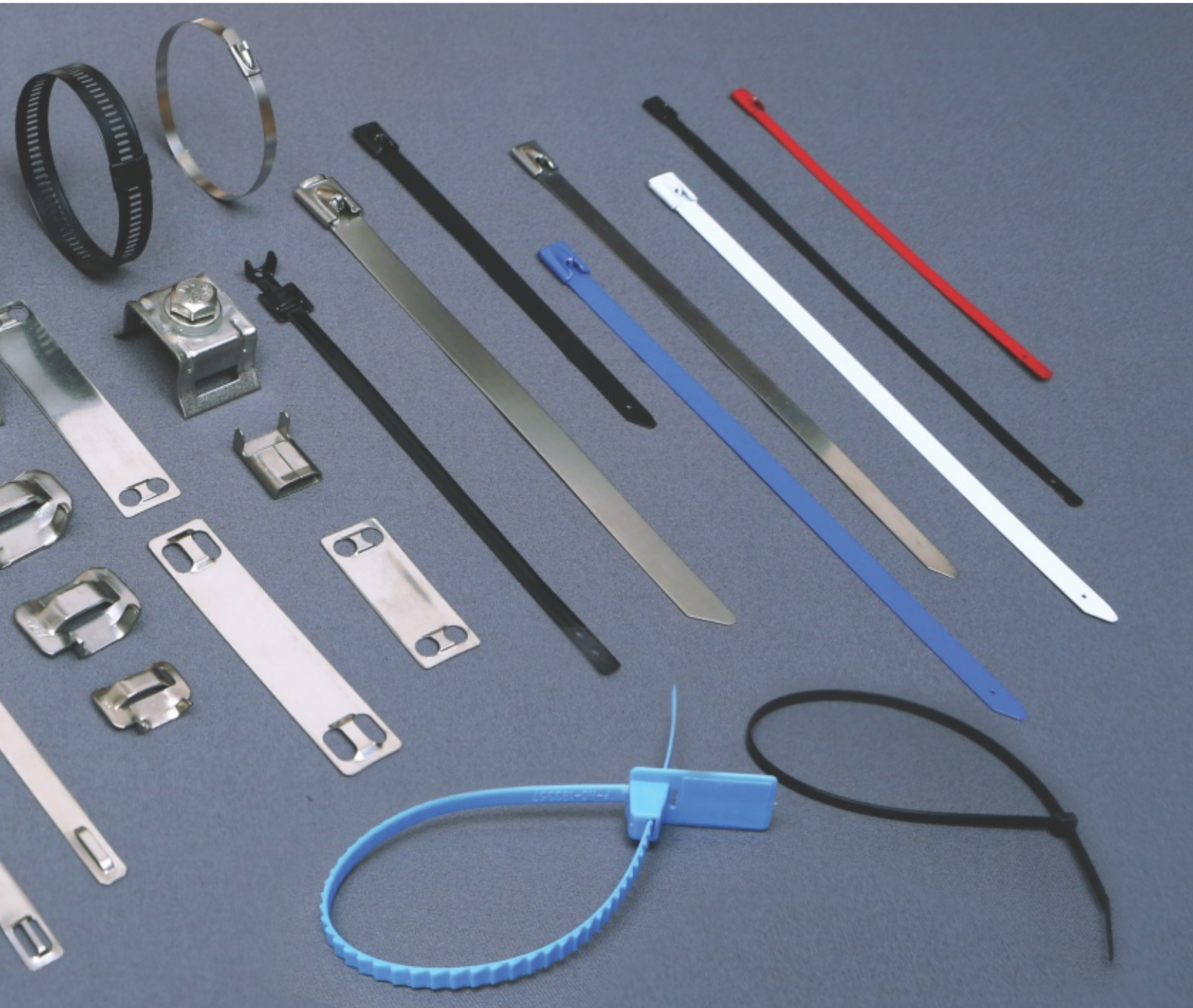


Cable Diameter (mm)		Cable Diameter With Liner (mm)			B (mm)	C (mm)	D (mm)	E (mm)	E-Code
Min	Max	Min	Liner Thk.	Max					
15	30	9	3	24	110	90	47	30	ATC030
30	45	24	3	39	155	130	67	30	ATC045
45	60	39	3	54	190	165	90	40	ATC060
60	75	54	3	69	230	200	110	40	ATC075
75	90	69	3	84	270	245	142	40	ATC090
90	105	80	5	95	320	290	170	50	ATC105
105	120	95	5	110	380	340	200	60	ATC120
120	135	110	5	125	405	370	225	60	ATC135
135	150	125	5	140	450	410	250	60	ATC150

NOTE : ADD SUFFIX "L" TO E-Code FOR CABLE CLEAT WITH LINER



Cable Ties & Accessories



The AXIS Cable Ties product range offers users solutions that are designed and manufactured for fast assembly and reliable performance. AXIS Cable Ties are constructed from high-quality materials made with Stainless Steel - Grade 316 and Epoxy polyester coated for corrosion resistance. With Cable tie sizes ranging from 3/16" (4.6 mm) to 5/8" (16 mm) Cable ties are dependable with Safe Bundling, Fastening, and Identification in Corrosive Environments for Industrial applications, the Oil & Gas Industry and more.

The AXIS Industrial Cable Tie range is designed, manufactured, tested and comply with International Standards like IEC / UL 62275.

Stainless Steel Cable Ties - Releasable

Material: Stainless Steel 316
 Material Tensile Strength: For 5mm - 1334n(133.4kgs)
 For 10mm - 2000n(200kgs)
 Finish: **Natural & Uncoated**



E-Code	Length - mm	Width- mm	Max Bundle Dia - mm
ARU56150	150	6	50
ARU56230	230	6	50
ARU56330	330	6	100
ARU56450	450	6	100
ARU56600	600	6	150
ARU56750	750	6	200
ARU56900	900	6	250
ARU106150	150	9	50
ARU106230	230	9	50
ARU106330	330	9	100
ARU106450	450	9	100
ARU106600	600	9	150
ARU106750	750	9	200
ARU106900	900	9	250

Material: Stainless Steel 316
 Material Tensile Strength : For 5mm - 1334n(133.4kgs)
 For 10mm - 2000n(200kgs)
 Finish: **Coated**



E-Code	Length - mm	Width- mm	Max Bundle Dia - mm
ARC56150	150	6	50
ARC56230	230	6	50
ARC56330	330	6	100
ARC56450	450	6	100
ARC56600	600	6	150
ARC56750	750	6	200
ARC56900	900	6	250
ARC106150	150	9	50
ARC106230	230	9	50
ARC106330	330	9	100
ARC106450	450	9	100
ARC106600	600	9	150
ARC106750	750	9	200
ARC106900	900	9	250

Stainless Steel Cable Ties - Roller Ball

Material : Stainless Steel 316
 Material Tensile Strength: For 4.6mm - 445n(44.5kgs)
 For 7.9mm - 1112n(111.2kgs)
 Finish: **Natural & Uncoated**



E-Code	Length - mm	Width- mm	Max Bundle Dia - mm
ABU46100	100	4.6	30
ABU46150	150	4.6	50
ABU46200	200	4.6	50
ABU46260	260	4.6	100
ABU46360	360	4.6	100
ABU46520	520	4.6	150
ABU46680	680	4.6	200
ABU46840	840	4.6	250
ABU461000	1000	4.6	300
ABU76100	100	7.9	30
ABU76150	150	7.9	50
ABU76200	200	7.9	50
ABU76260	260	7.9	100
ABU76360	360	7.9	100
ABU76520	520	7.9	150
ABU76680	680	7.9	200
ABU76840	840	7.9	250
ABU761000	1000	7.9	300

Material : Stainless Steel 316
 Loop Tensile Strength: For 4.6mm - 445n(44.5kgs)
 For 7.9mm - 1112n(111.2kgs)
 Finish: **Coated**



E-Code	Length - mm	Width- mm	Max Bundle Dia - mm
ABC46100	100	4.6	30
ABC46150	150	4.6	50
ABC46200	200	4.6	50
ABC46260	260	4.6	100
ABC46360	360	4.6	100
ABC46520	520	4.6	150
ABC46680	680	4.6	200
ABC46840	840	4.6	250
ABC461000	1000	4.6	300
ABC76100	100	7.9	30
ABC76150	150	7.9	50
ABC76200	200	7.9	50
ABC76260	260	7.9	100
ABC76360	360	7.9	100
ABC76520	520	7.9	150
ABC76680	680	7.9	200
ABC76840	840	7.9	250
ABC761000	1000	7.9	300

Stainless Steel Cable Ties - Markers

Type: **Markers**
 Material : Stainless Steel Grade 316



Alphabets	A - Z
Number	0 - 9
Symbols	, . / ; : ' - + () * & # @ !

Stainless Steel Cable Ties - I.D Tags

Type: **Id Tags**
 Material: Stainless Steel Grade 316



E-Code	LENGTH	WIDTH
IDT1950	50	19
IDT1990	90	19

We can develop products according to customer needs and specification.

Stainless Steel Cable Ties - Carrier

Type: **Carrier**
 Material : Stainless Steel Grade 316



E-Code	Length	Width
CS8075	75	8
CS8090	90	8
CS8130	130	8

We can develop products according to customer needs and specification.
 And other length also available 10 , 16 , 20.Digits

AXIS CABLE GLANDS





CW Industrial Cable Gland

CZ Industrial Cable Gland

E1Z Industrial Cable Gland

E1W Industrial Cable Gland

CXD Industrial Cable Gland

Earthing & Lightning Protection System and Exo Thermic Welding

AXIS provides complete range of E & LP products & system in order to achieve total protection to the Structures, Equipment and community. These products are manufactured in accordance to International standards such as BS EN, UL & IS



Electrical Connectors

Axis manufactures wide range of Lugs and Connectors sizes ranging from 1.5mm² -1200mm² of Copper, Aluminum & Bimetal. These products are Compression or Bolted type. Popular standards such as BSEN, IS & UL are followed to manufacture and to test these Connectors.



Cable Management System

AXIS Cable Glands and accessories are manufactured according to the functional requirements of IEC 62444 and DIN standards. AXIS Cable Cleats are manufactured in accordance with IEC 61914.

AXIS Cable Ties can be supplied with other accessories like Markers, I.D. Tags & Carriers used in oil refineries, petrochemical industries and other utilities worldwide. These cable ties comply to UL-1565 and BS EN 62275 standards.



CERTIFICATIONS

AN ISO 9001 : 2015 COMPANY



Underwriter Laboratories Inc. (UL)
 Grounding and Bonding Equipment
 UL-414 (UL 2259A)
 Wire Connectors and Soldering Lugs
 UL-414 (UL 2259A)



Power Grid Corporation of India Limited

NFC Standards



NATIONAL THERMAL POWER CORPORATION



STAR EXPORT HOUSE

Recognition by Government of India



An ISO 9001: 2015 Company

TESTED PRODUCTS
 EFFICIENT SERVICE
 TRUSTED BRAND

Poleline Hardware

AXIS offers complete range of OH line Hardware for LV, MV & HV Electrical distribution line systems. These products are manufactured taking into consideration international standards and Utility specific requirements.



2nd Edition

2020

Scan this code with your Whatsapp camera to talk to us



International Sales



Domestic Sales



AXIS ELECTRICAL COMPONENTS (I) P. LTD.

Registered Office: AXIS House, Plot No. 104 C

Kandivali Co-op Industrial Estate Ltd., Kandivali (W),
Mumbai – 400067, Maharashtra, India. Tel: +91-22-67756000
email: sales@axis-india.com | Website: www.axis-india.com

Administrative Office: Plot No. 149 BCD